

ZOOM

SHAFT GROUNDING KIT

MGK-1
BEARING PROTECTOR



**DON'T LET STRAY SHAFT CURRENTS
DAMAGE YOUR MOTOR BEARINGS!**

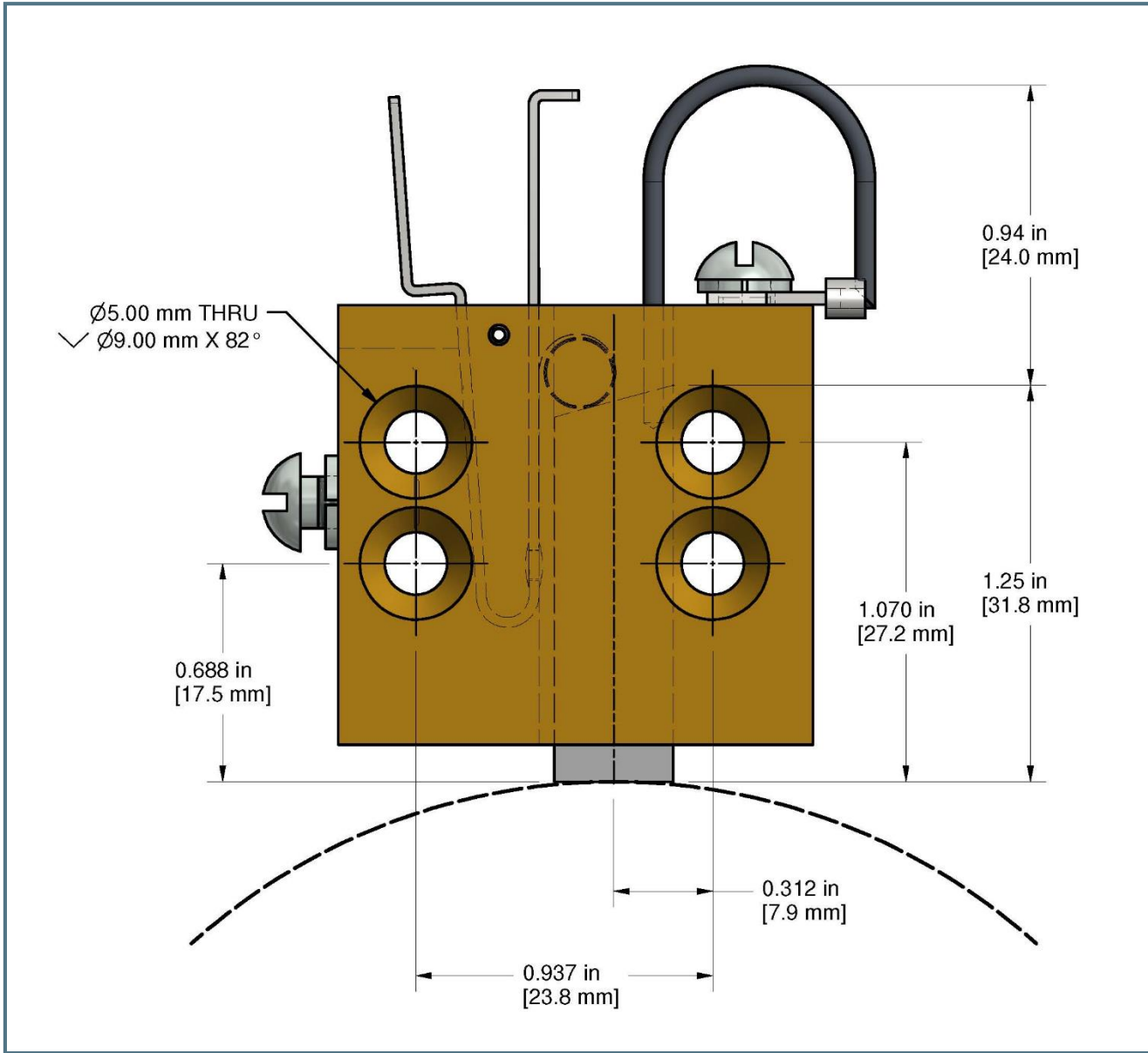
Mersen's Silver grade ensures the lowest path of resistance to ground, preventing bearing damage.

VFD (Variable Frequency Drive), AC Motor & PWM (Pulse Width Modulator), DC Motor, produce **stray shaft currents**.

Stray shaft currents can cause **bearing failures** (Fluting & Pitting).

These failures can be prevented by **diverting induced shaft currents to ground via a carbon brush**.

MERSEN PROPERTY



Installation Guidelines:

- 1 Kit - For Shafts 2 inch – 4 inch [50 mm – 100 mm]
- 2 Kits - For Shafts 5 inch – 8 inch [120 mm – 200 mm]
- 3 Kits - For Shafts 9 inch – 10 inch [220 mm – 250 mm]

Kit Contents:

- Holder, 4 x 10-32UNF Set CSK Screws
- Brush 0.375 x 0.250 - Grade 50% Ag (Silver)

Replacement brush C-3733

contact.ptt.usa@mersen.com

MERSEN PROPERTY